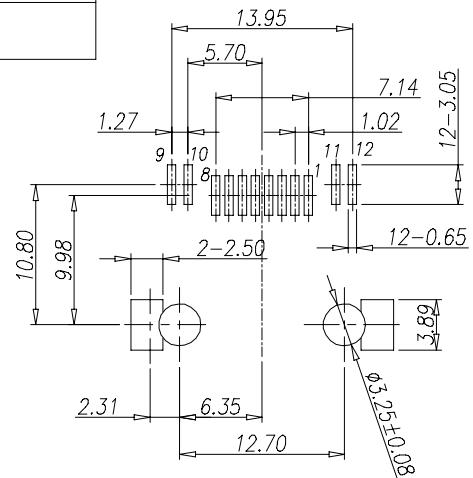
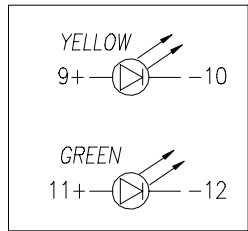
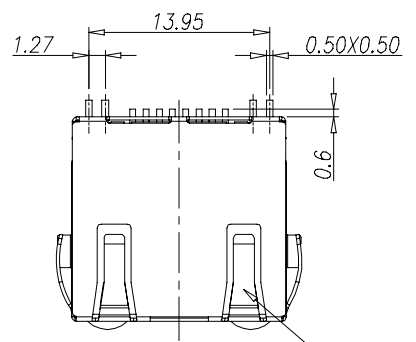
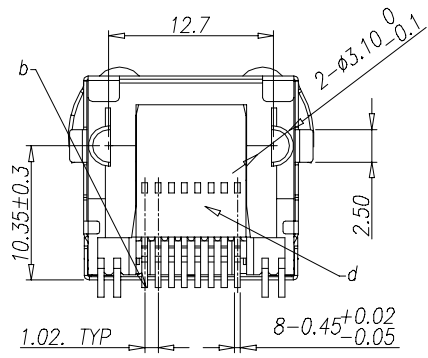
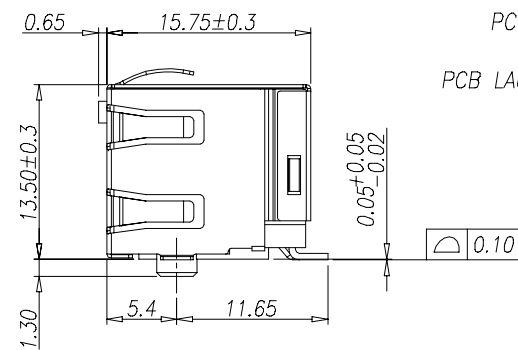
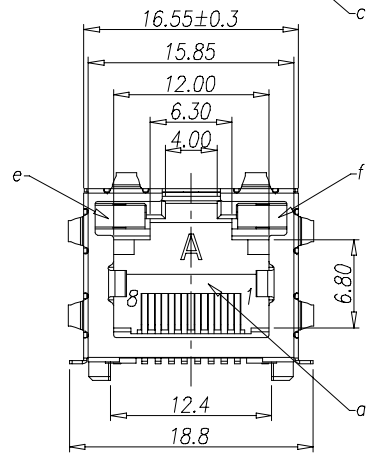


CATEGORY	DESCRIPTION	P/N #
CONNECTOR	Modular Jack, 8P8C, 90° WITH SHELL AND LED SMT TYPE	

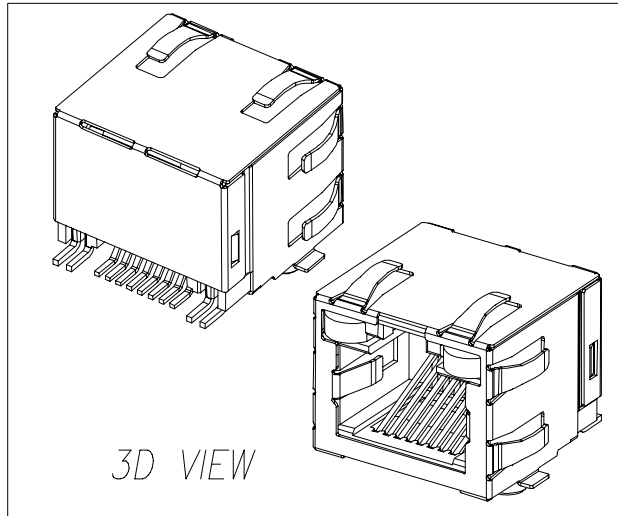
REV.	ECN NO	DESCRIPTION	REVISED	DATE
A0		New Release	Kelly	2012.08.13



RECOMMEND PCB LAYOUT  
 PCB THICKNESS:1.60mm.  
 Jack Top View  
 PCB LAUOUT TOLERANCE:±0.05mm.



- Specifications:
- Rated Current: 1.5A
  - Contact resistance: 40mΩ MAX.
  - Insulation resistance: 500MΩ MIN.
  - Dielectric withstand: 500V AC for 1 minute
  - Operating temperature: -40°C~+80°C
  - Insert force: 35N MAX.
  - Withdraw force: 10N MIN.
  - Insertion/Extraction life: 750 Cycles
  - To Conform to the "RoHS Directive"
  - Resistance to reflow Soldering Heat 260°C 10 Seconds
  - Solder ability Temperature 245±5°C, 5±0.5 Sec



# Coorle 库乐科技

f	LED-02	1	Ferroalloy	BRIGHT TIN & GREEN	
e	LED-01	1	Ferroalloy	BRIGHT TIN & YELLOW	
d	Cover	1	HIGH TEMP PLASTIC; UL94V-0	BLACK	
c	Shell	1	Brass T=0.25mm	Plating Ni 80u"Min	
b	Terminal	8	Phophor Bronze T=0.30mm	See Table 1	
a	Housing	1	HIGH TEMP PLASTIC; UL94V-0	BLACK	
NO.	PART NAME	Q'TY	MATERIAL	PLATING & COLOR	Remark

UNLESS OTHERWISE SPECIFIED TOLERANCES	SCALE:1/1	UNIT: mm	DWG.NO:	
	SIZE: A3	PAGE:1 OF 1		REV:A0
DECIMALS: X :±0.5 X.X :±0.3 X.XX :±0.2 X.XXX :±0.1	ANGLES: X :±2° X.X :±1°	APPROVED BY Tony	CHECKED BY Bill	PREPARED BY Kelly
CUSTOMER COPY				